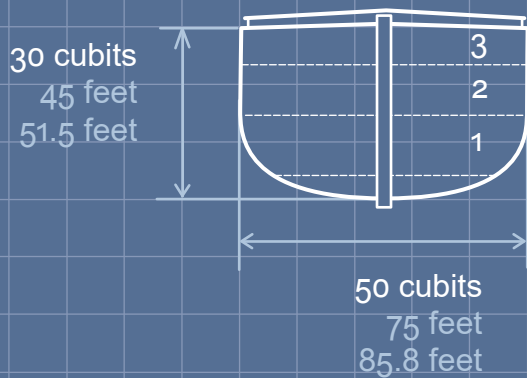
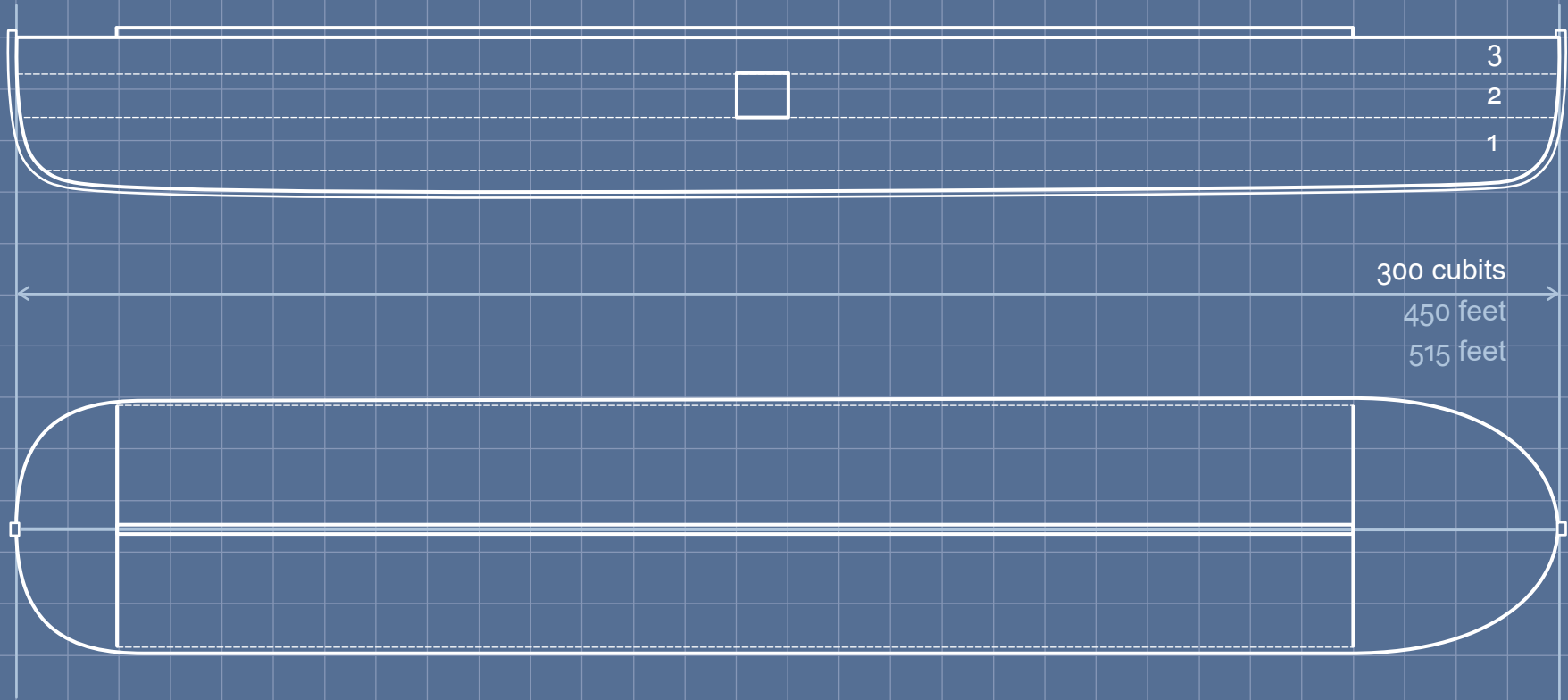


Noah's Ark

1 Sq = 10 cubits

Hebrew cubit = 18 inches

Royal Egyptian cubit = 20.6 inches



Size comparison
to the ark:



Make yourself an ark of gopher wood. Make rooms in the ark, and cover it inside and out with pitch. This is how you are to make it: the length of the ark 300 cubits, its breadth 50 cubits, and its height 30 cubits. Make a roof for the ark, and finish it to a cubit above, and set the door of the ark in its side. Make it with lower, second, and third decks. Gen 6:14-16 ESV